



Air Conditioning & Heating



## PRODUCT SPECIFICATIONS

# GSH13

## 13 SEER

### SPLIT SYSTEM HEAT PUMP

### 1½ TO 5 TON



The GSH13 heat pump features a louvered metal guard that protects the coil from damage and strengthens the unit. Designed for ground-level or rooftop mount, the unit has a base pan that elevates it above the slab for excellent water drainage.

#### Standard Features

- Energy-efficient compressor
- Copper tube/aluminum fin coil
- R-22 refrigerant-charged for 15' of refrigerant lines
- Liquid refrigerant return protection
- Factory-installed liquid line filter dryer
- Low-pressure switch
- Time-initiated, temperature-terminated defrost control
- Brass liquid and suction service valves
- Contactor with lug connection
- Ground lug connection
- ARI Certified; ETL Certified

#### Cabinet Features

- Unique Goodman® sound control top design
- Steel louver coil guard
- Heavy-gauge, galvanized-steel cabinet
- Attractive Architectural Gray powder-paint finish with 500- hour salt-spray approval
- When properly anchored, meets the 2001 Florida Building Code unit integrity requirements for hurricane-type winds

#### Air Handler and Coil Compatibilities

- ARPF/ARPT, ADPF, ARUF, AEPF/AEPT – versatile upflow, horizontal or downflow air handlers; may be located in closets, utility rooms, attics, or basements
- AWUF/AWB vertical wall-mounted electric heat air handlers
- ACNF/AC ceiling-mounted electric heat air handlers
- MBR/MBE modular blower
- CA, CH and CSCF indoor coils

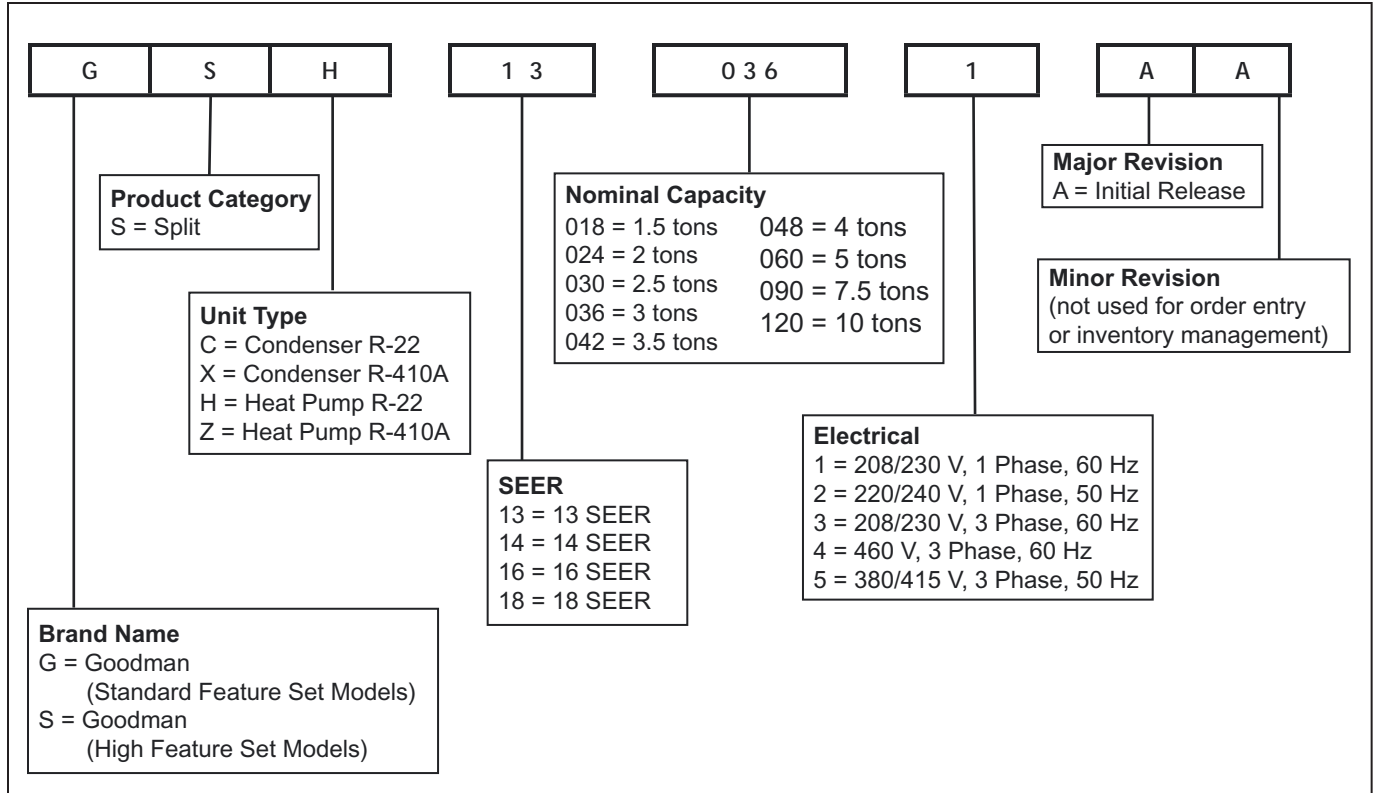
#### Accessories

- Standard room thermostat with 1-stage cool/1-stage heat
- Digital room thermostat with 1-stage cool/1-stage heat
- Outdoor thermostat
- High- and low-pressure switch kit
- Low-pressure switch kit
- Low ambient kit



# PRODUCT SPECIFICATIONS

## NOMENCLATURE



## SPECIFICATIONS

	GSH13 0181AA	GSH13 0191AA	GSH13 0241AA	GSH13 0251AA	GSH13 0301AA	GSH13 0311AA	GSH13 0361AA
<b>Capacities and Ratings</b>							
Nominal Cooling (BTU/h)	18,000	18,000	23,000	23,000	28,000	28,000	35,000
Nominal Heating (BTU/h)	16,800	16,800	22,000	22,600	26,800	25,600	32,000
Decibels	78	76	78	76	78	76	80
<b>Compressor</b>							
RLA	6.2	9.0	10.1	10.9	10.8	12.2	12.2
LRA	34	41	51	54	60	63	73
<b>Condenser Fan Motor</b>							
Horsepower	1/6	1/6	1/6	1/6	1/6	1/6	¼
FLA	1.5	1.5	1.5	1.5	1.5	1.5	1.6
<b>Refrigerant Lines</b>							
Liquid Valve Size ("O.D.)	⅜"	⅜"	⅜"	⅜"	⅜"	⅜"	⅜"
Suction Valve Size ("O.D.)	¾"	¾"	¾"	¾"	¾"	¾"	⅞"
Valve Type	Sweat	Sweat	Sweat	Sweat	Sweat	Sweat	Sweat
Refrigerant Charge	127	115	106	117	153	153	188
Shipped with Orifice Size	0.052	0.052	0.061	0.061	0.068	0.065	0.073
<b>Electrical Data</b>							
AC Volts	208/230	208/230	208/230	208/230	208/230	208/230	208/230
Hz / Phase	60 Hz/1	60 Hz/1	60 Hz/1	60 Hz/1	60 Hz/1	60 Hz/1	60 Hz/1
Minimum Circuit Ampacity <sup>1</sup>	9.3	12.7	14.2	15.1	15	16.7	16.9
Max. Overcurrent Protection <sup>2</sup>	15 amps	20 amps	20 amps	20 amps	20 amps	20 amps	20 amps
Min./Max. Volts	197/253	197/253	197/253	197/253	197/253	197/253	197/253
Electrical Conduit Size	½" or ¾"	½" or ¾"	½" or ¾"	½" or ¾"	½" or ¾"	½" or ¾"	½" or ¾"
Ship Weight (lbs)	193	193	198	207	199	199	207

<sup>1</sup> Wire size should be determined in accordance with National Electrical Codes; extensive wire runs will require larger wire sizes

<sup>2</sup> Must use time-delay fuses or HACR-type circuit breakers of the same size as noted

# PRODUCT SPECIFICATIONS

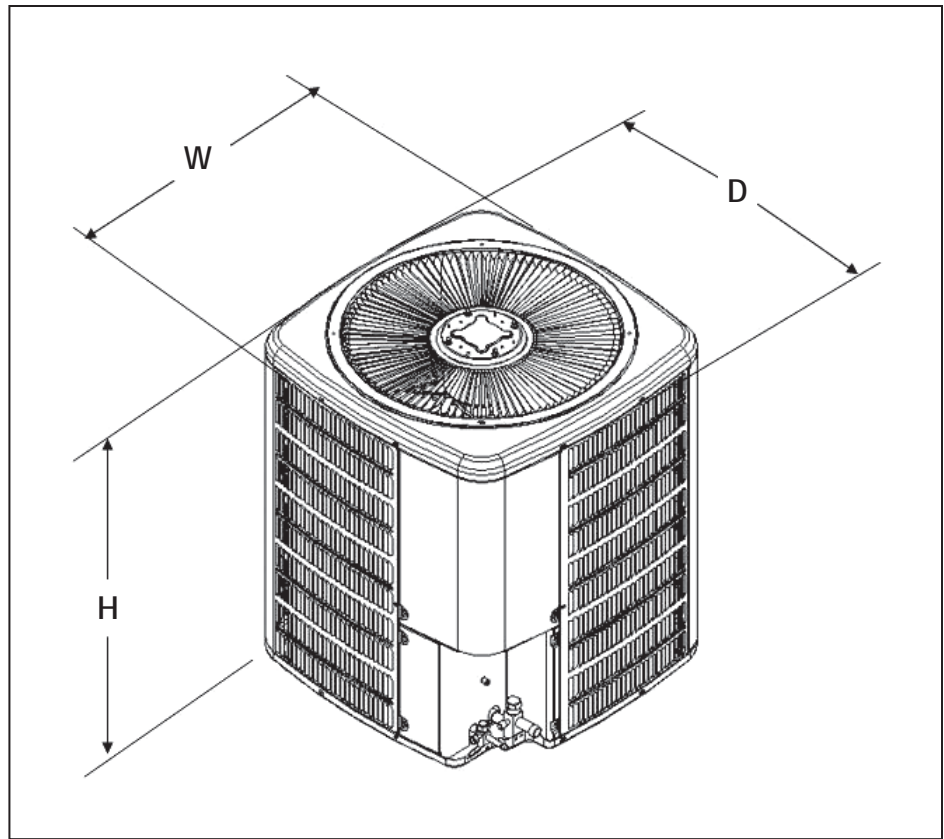
## SPECIFICATIONS (CONT.)

	GSH13 0363AA	GSH13 0421AA	GSH13 0481AA	GSH13 0483AA	GSH13 0484AA	GSH13 0601AA	GSH13 0603AA	GSH13 0604AA
<b>Capacities and Ratings</b>								
Nominal Cooling (BTU/h)	35,000	40,000	45,000	45,000	45,000	55,500	55,500	55,500
Nominal Heating (BTU/h)	32,000	39,000	43,000	43,000	43,000	55,500	55,500	55,500
Decibels	80	76	76	76	76	77	77	77
<b>Compressor</b>								
RLA	8.3	16.5	17.9	12.4	5.8	25	17.3	6.7
LRA	48	95	104	88	44	148	123	49.5
<b>Condenser Fan Motor</b>								
Horsepower	¼	¼	¼	¼	¼	1/6	1/6	1/6
FLA	1.6	1.6	1.6	1.6	0.8	1.1	1.1	0.6
<b>Refrigerant Lines</b>								
Liquid Valve Size ("O.D.)	⅜"	⅜"	⅜"	⅜"	⅜"	⅜"	⅜"	⅜"
Suction Valve Size ("O.D.)	⅞"	⅞"	⅞"	⅞"	⅞"	⅞"	⅞"	⅞"
Valve Type	Sweat	Sweat	Sweat	Sweat	Sweat	Sweat	Sweat	Sweat
Refrigerant Charge	188	213	223	223	223	233	233	233
Shipped with Orifice Size	0.073	0.082	0.084	0.084	0.084	0.093	0.093	0.093
<b>Electrical Data</b>								
AC Volts	208/230	208/230	208/230	208/230	460	208/230	208/230	460
Hz / Phase	60 Hz/3	60 Hz/1	60 Hz/1	60 Hz/3	60 Hz/3	60 Hz/1	60 Hz/3	60 Hz/3
Minimum Circuit Amps <sup>1</sup>	12	22.3	24	17.2	8.0	32.3	22.7	9.0
Max. Overcurrent Protection <sup>2</sup>	20	30	40	20	15	50	40	15
Min / Max Volts	197/253	197/253	197/253	197/253	414/506	197/253	197/253	414/506
Electrical Conduit Size	½" or ¾"	½" or ¾"	½" or ¾"	½" or ¾"	½" or ¾"	½" or ¾"	½" or ¾"	½" or ¾"
Ship Weight (lbs)	207	219	225	225	225	266	266	266

<sup>1</sup> Wire size should be determined in accordance with National Electrical Codes; extensive wire runs will require larger wire sizes

<sup>2</sup> Must use time-delay fuses or HACR type Circuit Breakers of the same size as noted

DIMENSIONS



Model	Dimensions W x D x H
GSH130181AA	29 x 29 x 32¼
GSH130191AA	29 x 29 x 32¼
GSH130241AA	29 x 29 x 34¾
GSH130251AA	29 x 29 x 32¼
GSH130301AA	29 x 29 x 34¼
GSH130311AA	29 x 29 x 34¼
GSH130361AA	29 x 29 x 38¼
GSH130363AA	29 x 29 x 38¼
GSH130421AA	29 x 29 x 32¼
GSH130481AA	29 x 29 x 34¼
GSH130483AA	29 x 29 x 34¼
GSH130484AA	29 x 29 x 34¼
GSH130601AA	35½ x 35½ x 34¼
GSH130603AA	35½ x 35½ x 34¼
GSH130604AA	35½ x 35½ x 34¼

# PRODUCT SPECIFICATIONS

## PERFORMANCE RATINGS

Outdoor Unit	Indoor Unit	Cooling Capacity				TVA Ratings <sup>3</sup>		Heating Capacity			ARI #
		Total	Sens.	SEER <sup>1</sup>	EER <sup>2</sup>	Total	Sens.	High	HSPF <sup>4</sup>	Low	
GSH13 0181A*	ADPF182416A*	18,000	13,140	13	11.5	16,740	13,057	16,800	7.7	8,600	1038042
	ADPF18241A*	18,000	13,140	13	11.5	16,740	13,057	16,800	7.7	8,600	735155
	ADPF18241B*	18,000	13,140	13	11.5	16,740	13,057	16,800	7.7	8,600	1069210
	AEPF183016A*	18,000	13,140	14	12.2	16,740	13,057	16,800	8	8,600	1038043
	AEPF18301A*	18,000	13,140	14	12.2	16,740	13,057	16,800	8	8,600	735122
	AEPF18301B*	18,000	13,140	14	12	16,740	13,057	16,800	8	8,600	1069211
	AEPT030-00*-1*	18,000	13,140	14	12.2	16,740	13,057	16,800	8	8,600	735070
	ARPF036-00B-1*	18,000	13,140	13	11.5	16,740	13,057	16,800	7.7	8,600	735104
	ARPF182416A*	18,000	13,140	13	11.5	16,740	13,057	16,800	7.7	8,600	1038044
	ARPF18241A*	18,000	13,140	13	11.5	16,740	13,057	16,800	7.7	8,600	735242
	ARPF18241B*	18,000	13,140	13	11.5	16,740	13,057	16,800	7.7	8,600	1069212
	ARPT032-00*-1*	18,000	13,140	13	11.5	16,740	13,057	16,800	7.7	8,600	735119
	ARUF032-00*-1*	18,000	13,140	13	11.5	16,740	13,057	16,800	7.7	8,600	735244
	ARUF182416A*	18,000	13,140	13	11.5	16,740	13,057	16,800	7.7	8,600	1038045
	ARUF18241A*	18,000	13,140	13	11.5	16,740	13,057	16,800	7.7	8,600	735073
	ARUF18241B*	18,000	13,140	13	11.5	16,740	13,057	16,800	7.7	8,600	1069213
	CA*F030*2*+EEP	18,000	13,140	13	11.5	16,740	13,057	16,800	7.7	8,600	735193
	CA*F030*2*+G*V80704B**	18,000	13,140	14	12.2	16,740	13,057	16,800	8	8,600	735054
	CA*F030*2*+G*V950453B**	18,000	13,140	13.5	11.8	16,740	13,057	16,800	7.7	8,600	735168
	CA*F030*2*+MBE1200**-1	18,000	13,140	14	12.2	16,740	13,057	16,800	8	8,600	1032335
	CA*F1824*6A*+EEP	18,000	13,140	13	11.5	16,740	13,057	16,800	7.7	8,600	735078
	CA*F1824*6A*+G*V80704B**	18,000	13,140	14	12.2	16,740	13,057	16,800	8	8,600	735059
	CA*F1824*6A*+G*V950453B**	18,000	13,140	13.5	11.8	16,740	13,057	16,800	7.7	8,600	735141
	CA*F1824*6A*+MBE1200**-1	18,000	13,140	14	12.2	16,740	13,057	16,800	8	8,600	1032328
	CHPF030A2*+EEP	18,000	13,140	13	11.5	16,740	13,057	16,800	7.7	8,600	735060
	CHPF042B2*+G*V80704B**	18,000	13,140	14	12.2	16,740	13,057	16,800	8	8,600	735176
	CHPF042B2*+G*V950453B**	18,000	13,140	13.5	11.8	16,740	13,057	16,800	7.7	8,600	735840
	CHPF1824A6A*+EEP	18,000	13,140	13	11.5	16,740	13,057	16,800	7.7	8,600	735085
	CHPF2430B6A*+G*V80704B**	18,000	13,140	14	12.2	16,740	13,057	16,800	8	8,600	735232
	CHPF2430B6A*+G*V950453B**	18,000	13,140	13.5	11.8	16,740	13,057	16,800	7.7	8,600	735991
	CSCF1824N6A*+EEP	18,000	13,140	13	11.5	16,740	13,057	16,800	7.7	8,600	735127
	CSCF1824N6A*+G*V80704B**	18,000	13,140	14	12.2	16,740	13,057	16,800	8	8,600	735037
CSCF1824N6A*+G*V950453B**	18,000	13,140	13.5	11.8	16,740	13,057	16,800	7.7	8,600	735816	
H36F+EEP	18,000	13,140	13	11.5	16,740	13,057	16,800	7.7	8,600	735076	
H36F+G*V80704B**	18,000	13,140	14	12.2	16,740	13,057	16,800	8	8,600	735094	
H36F+G*V950453B**	18,000	13,140	13.5	11.8	16,740	13,057	16,800	7.7	8,600	735843	
GSH13 0191A*	AC30-XX	18,000	13,140	13	11.5	16,740	13,392	16,800	7.7	8,600	735878
	ACNF24XX1A*	18,000	13,140	13	11.5	16,740	13,392	16,800	7.7	8,600	735867
	ARPF182416A*	18,400	13,432	13	11.5	17,112	13,690	17,000	8	8,800	1038047
	ARPF18241A*	18,400	13,432	13	11.5	17,112	13,690	17,000	8	8,800	1038048
	ARPF18241B*	18,400	13,432	13	11.5	17,112	13,690	17,000	8	8,800	1069214
	ARUF032-00*-1*	18,400	13,432	13	11.5	17,112	13,690	17,000	8	8,800	877504
	ARUF182416A*	18,400	13,432	13	11.5	17,112	13,690	17,000	8	8,800	1038046
	ARUF18241A*	18,400	13,432	13	11.5	17,112	13,690	17,000	8	8,800	877505
	ARUF18241B*	18,400	13,432	13	11.5	17,112	13,690	17,000	8	8,800	1069215
	AWB24-XX	18,000	13,140	13	11.5	16,740	13,392	16,800	7.8	8,600	735915
	AWUF18XX1A*	18,000	13,140	13	11.5	16,740	13,392	16,800	7.8	8,600	735876

PERFORMANCE RATINGS (CONT.)

Outdoor Unit	Indoor Unit	Cooling Capacity				TVA Ratings <sup>3</sup>		Heating Capacity			ARI #
		Total	Sens.	SEER <sup>1</sup>	EER <sup>2</sup>	Total	Sens.	High	HSPF <sup>4</sup>	Low	
GSH13 0241A*	ADPF182416A*	23,000	17,020	13	11.5	21,390	16,898	22,000	7.7	12,000	1038049
	ADPF18241A*	23,000	17,020	13	11.5	21,390	16,898	22,000	7.7	12,000	735981
	ADPF18241B*	23,000	17,020	13	11.5	21,390	16,898	22,000	7.7	12,000	1069216
	AEPF183016A*	23,000	17,020	14	12.2	21,390	16,898	22,000	8	12,000	1038050
	AEPF18301A*	23,000	17,020	14	12.2	21,390	16,898	22,000	8	12,000	735175
	AEPF18301B*	23,000	17,020	14	12	21,390	16,898	22,000	8	12,000	1069217
	AEPF303616A*	23,400	17,316	14	12	21,762	17,192	22,000	8	12,000	1069243
	AEPT030-00*-1*	23,000	17,020	14	12.2	21,390	16,898	22,000	8	12,000	735243
	ARPF036-00B-1*	23,000	17,020	13	11.5	21,390	16,898	22,000	7.7	12,000	735044
	ARPF182416A*	23,000	17,020	13	11.5	21,390	16,898	22,000	7.7	12,000	1038051
	ARPF18241A*	23,000	17,020	13	11.5	21,390	16,898	22,000	7.7	12,000	735240
	ARPF18241B*	23,000	17,020	13	11.5	21,390	16,898	22,000	7.7	12,000	1069218
	ARPT032-00*-1*	23,000	17,020	13	11.5	21,390	16,898	22,000	7.7	12,000	735248
	ARUF032-00*-1*	23,000	17,020	13	11.5	21,390	16,898	22,000	7.7	12,000	735045
	ARUF182416A*	23,000	17,020	13	11.5	21,390	16,898	22,000	7.7	12,000	1038052
	ARUF18241A*	23,000	17,020	13	11.5	21,390	16,898	22,000	7.7	12,000	735204
	ARUF18241B*	23,000	17,020	13	11.5	21,390	16,898	22,000	7.7	12,000	1069219
	AWB36-XX	23,000	17,020	13	11.5	21,390	16,898	22,000	7.7	12,000	735063
	AWUF36XX1A*	23,000	17,020	13	11.5	21,390	16,898	22,000	7.7	12,000	735253
	CA*F030*2*+MBE1200**-1	23,000	17,020	14	12.2	21,390	16,898	22,000	8	12,000	1032338
	CA*F037*2*+EEP	23,000	17,020	13	11.5	21,390	16,898	22,000	7.7	12,000	735039
	CA*F037*2*+G*V80704B**	23,000	17,020	13	11.5	21,390	16,898	22,000	7.7	12,000	735166
	CA*F037*2*+G*V950453B**	23,000	17,020	13	11.5	21,390	16,898	22,000	7.7	12,000	735815
	CA*F1824*6A*+MBE1200**-1	23,000	17,020	14	12.2	21,390	16,898	22,000	8	12,000	1032330
	CA*F3030*6A*+EEP	23,000	17,020	13	11.5	21,390	16,898	22,000	7.7	12,000	735188
	CA*F3030*6A*+G*V80704B**	23,000	17,020	13	11.5	21,390	16,898	22,000	7.7	12,000	735093
	CA*F3030*6A*+G*V950453B**	23,000	17,020	13	11.5	21,390	16,898	22,000	7.7	12,000	735984
	CHPF030A2*+EEP	23,000	17,020	13	11.5	21,390	16,898	22,000	7.7	12,000	735838
	CHPF042B2*+G*V80704B**	23,000	17,020	13	11.5	21,390	16,898	22,000	7.7	12,000	735226
	CHPF042B2*+G*V950453B**	23,000	17,020	13.5	11.8	21,390	16,898	22,000	7.7	12,000	735818
	CHPF1824A6A*+EEP	23,000	17,020	13	11.5	21,390	16,898	22,000	7.7	12,000	735847
	CHPF2430B6A*+G*V80704B**	23,000	17,020	13	11.5	21,390	16,898	22,000	7.7	12,000	735147
CHPF2430B6A*+G*V950453B**	23,000	17,020	13.5	11.8	21,390	16,898	22,000	7.7	12,000	735826	
CSCF1824N6A*+EEP	23,000	17,020	13	11.5	21,390	16,898	22,000	7.7	12,000	735112	
CSCF1824N6A*+G*V80704B**	23,000	17,020	13	11.5	21,390	16,898	22,000	7.7	12,000	735152	
CSCF1824N6A*+G*V950453B**	23,000	17,020	13.5	11.8	21,390	16,898	22,000	7.7	12,000	735809	
H36F+EEP	23,000	17,020	13	11.5	21,390	16,898	22,000	7.7	12,000	735252	
H36F+G*V80704B**	23,000	17,020	13	11.5	21,390	16,898	22,000	7.7	12,000	735211	
H36F+G*V950453B**	23,000	17,020	13.5	11.8	21,390	16,898	22,000	7.7	12,000	735821	

<sup>1</sup> Seasonal Energy Efficiency Ratio; Certified per ARI 210/240 @ 80 °F/67 °F/95 °F

<sup>3</sup> TVA Rating: BTU/h @ 75°F/63°F - 95°F

<sup>2</sup> Energy Efficiency Ratio @ 80 °F/67 °F/95 °F

<sup>4</sup> HSPF = Heating Seasonal Performance Factor

Notes:

- Order the EEP from the Service Department using Part No. B13707-38 or new Solid State Board B13707-35S. Part No. B13707-38 is not interchangeable with B13707-35S.
- When mix-matching outdoor and indoor units, the indoor unit check flowrator must match the outdoor unit size.

# PRODUCT SPECIFICATIONS

## PERFORMANCE RATINGS (CONT.)

Outdoor Unit	Indoor Unit	Cooling Capacity				TVA Ratings <sup>3</sup>		Heating Capacity			ARI #
		Total	Sens.	SEER <sup>1</sup>	EER <sup>2</sup>	Total	Sens.	High	HSPF <sup>4</sup>	Low	
GSH13 0251A*	AC30-XX	23,600	17,464	13	11.5	21,948	16,900	22,600	7.7	12,400	735208
	ACNF24XX1A*	23,600	17,464	13	11.5	21,948	16,900	22,600	7.7	12,400	735217
	ARPF182416A*	24,000	17,760	13	11.5	22,320	17,186	22,600	8	12,400	1038054
	ARPF18241A*	24,000	17,760	13	11.5	22,320	17,186	22,600	8	12,400	1038055
	ARPF18241B*	24,000	17,760	13	11.5	22,320	17,186	22,600	8	12,400	1069220
	ARUF032-00*-1*	24,000	17,760	13	11.5	22,320	17,186	22,600	8	12,400	877503
	ARUF182416A*	24,000	17,760	13	11.5	22,320	17,186	22,600	8	12,400	1038053
	ARUF18241A*	24,000	17,760	13	11.5	22,320	17,186	22,600	8	12,400	877506
	ARUF18241B*	24,000	17,760	13	11.5	22,320	17,186	22,600	8	12,400	1069221
	AWB24-XX	23,400	17,316	13	11.5	21,762	16,757	22,600	7.8	12,400	735036
	AWB36-XX	24,000	17,760	13	11.5	22,320	17,186	22,600	7.8	12,400	735040
	AWUF24XX1A*	23,400	17,316	13	11.5	21,762	16,757	23,600	7.8	12,400	735231
	AWUF36XX1A*	24,000	17,760	13	11.5	22,320	17,186	22,600	7.8	12,400	735238
	GSH13 0301A*	ADPF304216A*	28,000	21,000	13	11.5	26,040	20,832	26,800	7.7	14,000
ADPF30421A*		28,000	21,000	13	11.5	26,040	20,832	26,800	7.7	14,000	735259
ADPF30421B*		28,000	21,000	13	11.5	26,040	20,832	26,800	7.7	14,000	1069222
AEPF183016A*		28,000	21,000	14	12.2	26,040	20,832	26,800	8	14,000	1038057
AEPF18301A*		28,000	21,000	14	12.2	26,040	20,832	26,800	8	14,000	735151
AEPF18301B*		28,000	21,000	14	12	26,040	20,832	26,800	8	14,000	1069226
AEPT030-00*-1*		28,000	21,000	14	12.2	26,040	20,832	26,800	8	14,000	735082
AEPT036-00*-1*		29,000	21,750	14	12.2	26,970	21,576	26,800	8	14,000	1083284
ARPF048-00B-1*		28,000	21,000	13	11.5	26,040	20,832	26,800	7.7	14,000	735090
ARPF303016A*		28,000	21,000	13	11.5	26,040	20,832	26,800	7.7	14,000	1038058
ARPF30301A*		28,000	21,000	13	11.5	26,040	20,832	26,800	7.7	14,000	735087
ARPF30301B*		28,000	21,000	13	11.5	26,040	20,832	26,800	7.7	14,000	1069224
ARPT042-00*-1*		28,000	21,000	13	11.5	26,040	20,832	26,800	7.7	14,000	735222
ARUF042-00*-1*		28,000	21,000	13	11.5	26,040	20,832	26,800	7.7	14,000	735108
ARUF303016A*		28,000	21,000	13	11.5	26,040	20,832	26,800	7.7	14,000	1038059
ARUF30301A*		28,000	21,000	13	11.5	26,040	20,832	26,800	7.7	14,000	735228
ARUF30301B*		28,000	21,000	13	11.5	26,040	20,832	26,800	7.7	14,000	1069225
CA*F042*2*+EEP		28,000	21,000	13	11.5	26,040	20,832	26,800	7.7	14,000	735841
CA*F042*2*+G*V80704B**		28,000	21,000	14	12.2	26,040	20,832	26,800	8	14,000	735189
CA*F042*2*+G*V90703B**		28,000	21,000	13.5	11.8	26,040	20,832	26,800	7.7	14,000	735824
CA*F042*2*+G*V950453B**		28,000	21,000	13.5	11.8	26,040	20,832	26,800	7.7	14,000	735823
CA*F042*2*+MBE1200**-1		28,000	21,000	14	12.2	26,040	20,832	26,800	8	14,000	1032325
CA*F3131*6A*+G*V950704C**		28,000	21,000	13.5	11.8	26,040	20,832	26,800	7.8	14,000	1038079
CA*F3131*6A*+EEP		28,000	21,000	13	11.5	26,040	20,832	26,800	7.7	14,000	735812
CA*F3131*6A*+G*V80704B**		28,000	21,000	14	12.2	26,040	20,832	26,800	8	14,000	736494
CA*F3131*6A*+G*V90703B**		28,000	21,000	13.5	11.8	26,040	20,832	26,800	7.7	14,000	736495
CA*F3131*6A*+G*V950453B**		28,000	21,000	13.5	11.8	26,040	20,832	26,800	7.7	14,000	736496
CA*F3131*6A*+MBE1200**-1		28,000	21,000	13.5	11.8	26,040	20,832	26,800	7.8	14,000	1032298
CHPF042B2*+EEP		28,000	21,000	13	11.5	26,040	20,832	26,800	7.7	14,000	735834
CHPF042B2*+G*V80704B**		28,000	21,000	14	12.2	26,040	20,832	26,800	8	14,000	735106
CHPF042B2*+G*V90704C**		28,000	21,000	13.5	11.8	26,040	20,832	26,800	7.7	14,000	735219
CHPF042B2*+G*V950704C**		28,000	21,000	13.5	11.8	26,040	20,832	26,800	7.7	14,000	735817
CHPF2430B6A*+EEP		28,000	21,000	13	11.5	26,040	20,832	26,800	7.7	14,000	735808
CHPF2430B6A*+G*V80704B**		28,000	21,000	14	12.2	26,040	20,832	26,800	8	14,000	735254
CHPF2430B6A*+G*V90704C**	28,000	21,000	13.5	11.8	26,040	20,832	26,800	7.7	14,000	735079	
CHPF2430B6A*+G*V950704C**	28,000	21,000	13.5	11.8	26,040	20,832	26,800	7.7	14,000	735819	
CSCF3036N6A*+EEP	28,000	21,000	13	11.5	26,040	20,832	26,800	7.7	14,000	735829	

PERFORMANCE RATINGS (CONT.)

Outdoor Unit	Indoor Unit	Cooling Capacity				TVA Ratings <sup>3</sup>		Heating Capacity			ARI #
		Total	Sens.	SEER <sup>1</sup>	EER <sup>2</sup>	Total	Sens.	High	HSPF <sup>4</sup>	Low	
GSH13 0301A* (cont.)	CSCF3036N6A*+G*V80704B**	28,000	21,000	14	12.2	26,040	20,832	26,800	8	14,000	735201
	CSCF3036N6A*+G*V90704C**	28,000	21,000	13.5	11.8	26,040	20,832	26,800	7.7	14,000	735170
	CSCF3036N6A*+G*V950704C**	28,000	21,000	13.5	11.8	26,040	20,832	26,800	7.7	14,000	735835
	H49F+EEP	28,000	21,000	13	11.5	26,040	20,832	26,800	7.7	14,000	735804
	H49F+G*V80704B**	28,000	21,000	14	12.2	26,040	20,832	26,800	8	14,000	735041
	H49F+G*V90704C**	28,000	21,000	13.5	11.8	26,040	20,832	26,800	7.7	14,000	735215
	H49F+G*V950704C**	28,000	21,000	13.5	11.8	26,040	20,832	26,800	7.7	14,000	735836
GSH13 0311A*	AC36-XX	27,000	20,250	13	11.5	25,110	21,595	25,600	7.7	14,000	735095
	ACNF30XX1A*	27,000	20,250	13	11.5	25,110	21,595	25,600	7.7	14,000	735800
	ARPF303016A*	28,000	21,000	13	11.5	26,040	22,394	26,000	8	15,000	1038061
	ARPF30301A*	28,000	21,000	13	11.5	26,040	22,394	26,000	8	15,000	1038062
	ARPF30301B*	28,000	21,000	13	11.5	26,040	22,394	26,000	8	15,000	1069223
	ARUF042-00*-1*	28,000	21,000	13	11.5	26,040	22,394	26,000	8	15,000	1032341
	ARUF303016A*	28,000	21,000	13	11.5	26,040	22,394	26,000	8	15,000	1038060
	ARUF30301A*	28,000	21,000	13	11.5	26,040	22,394	26,000	8	15,000	1032340
	ARUF30301B*	28,000	21,000	13	11.5	26,040	22,394	26,000	8	15,000	1069205
	AWB36-XX	27,400	20,550	13	11.5	25,482	21,915	25,600	8	14,400	735171
	AWUF36XX1A*	27,400	20,550	13	11.5	25,482	21,915	25,600	8	14,400	735086
GSH13 0361A*	ADPF304216A*	35,000	26,600	13	11.5	32,550	26,366	32,000	7.7	16,000	1038063
	ADPF30421A*	35,000	26,600	13	11.5	32,550	26,366	32,000	7.7	16,000	735230
	ADPF30421B*	35,000	26,600	13	11.5	32,550	26,366	32,000	7.7	16,000	1069206
	AEPF303616A*	35,000	26,600	14	12.2	32,550	26,366	32,000	8	16,000	1038064
	AEPF30361A*	35,000	26,600	14	12.2	32,550	26,366	32,000	8	16,000	735159
	AEPF30361B*	35,000	26,600	14	12	32,550	26,366	32,000	8	16,000	1069207
	AEPT036-00*-1*	35,000	26,600	14	12.2	32,550	26,366	32,000	8	16,000	735158
	ARPF048-00B-1*	35,000	26,600	13	11.5	32,550	26,366	32,000	7.7	16,000	735115
	ARPF364216A*	35,000	26,600	13	11.5	32,550	26,366	32,000	7.7	16,000	1038065
	ARPF36421A*	35,000	26,600	13	11.5	32,550	26,366	32,000	7.7	16,000	735132
	ARPF36421B*	35,000	26,600	13	11.5	32,550	26,366	32,000	7.7	16,000	1069208
	ARPT049-00*-1*	35,000	26,600	13	11.5	32,550	26,366	32,000	7.7	16,000	735180
	ARUF048-00*-1*	34,000	25,840	13	11.5	31,620	25,612	32,000	7.8	16,000	1069244
	ARUF049-00*-1*	35,000	26,600	13	11.5	32,550	26,366	32,000	8	16,000	735837
	ARUF364216A*	35,000	26,600	13	11.5	32,550	26,366	32,000	7.7	16,000	1038066
	ARUF36421A*	35,000	26,600	13	11.5	32,550	26,366	32,000	8	16,000	735187
	ARUF36421B*	35,000	26,600	13	11.5	32,550	26,366	32,000	8	16,000	1069209
	CA*F060*2*+EEP	35,000	26,600	13	11.5	32,550	26,366	32,000	7.7	16,000	735822
	CA*F060*2*+G*V80905C**	35,000	26,600	14	12.2	32,550	26,366	32,000	8	16,000	735100
	CA*F060*2*+G*V81155C**	35,000	26,600	14	12.2	32,550	26,366	32,000	8	16,000	735825
	CA*F060*2*+G*V90905D**	35,000	26,600	14	12.2	32,550	26,366	32,000	8	16,000	735067
	CA*F060*2*+G*V950905D**	35,000	26,600	13.5	11.8	32,550	26,366	32,000	7.7	16,000	735978
	CA*F060*2*+G*V951155D**	35,000	26,600	13.5	11.8	32,550	26,366	32,000	7.7	16,000	735987
	CA*F060*2*+MBE1600**-1	35,000	26,600	14	12.2	32,550	26,366	32,000	8	16,000	1032336
	CA*F3642*6A*+EEP	35,000	26,600	13	11.5	32,550	26,366	32,000	7.7	16,000	735839
	CA*F3642*6A*+G*V80905C**	35,000	26,600	14	12.2	32,550	26,366	32,000	8	16,000	735976
	CA*F3642*6A*+G*V81155C**	35,000	26,600	14	12.2	32,550	26,366	32,000	8	16,000	735827
	CA*F3642*6A*+G*V90905D**	35,000	26,600	14	12.2	32,550	26,366	32,000	8	16,000	735996
	CA*F3642*6A*+G*V950905D**	35,000	26,600	13.5	11.8	32,550	26,366	32,000	7.7	16,000	735977
	CA*F3642*6A*+G*V951155D**	35,000	26,600	13.5	11.8	32,550	26,366	32,000	7.7	16,000	735995
	CA*F3642*6A*+MBE1600**-1	35,000	26,600	14	12.2	32,550	26,366	32,000	8	16,000	1032337
	CHPF048D2*+EEP	35,000	26,600	13	11.5	32,550	26,366	32,000	7.7	16,000	735845
	CHPF048D2*+G*V90905D**	35,000	26,600	14	12.2	32,550	26,366	32,000	8	16,000	735848
CHPF048D2*+G*V950905D**	35,000	26,600	13.5	11.8	32,550	26,366	32,000	7.7	16,000	735993	

# PRODUCT SPECIFICATIONS

## PERFORMANCE RATINGS (CONT.)

Outdoor Unit	Indoor Unit	Cooling Capacity				TVA Ratings <sup>3</sup>		Heating Capacity			ARI #
		Total	Sens.	SEER <sup>1</sup>	EER <sup>2</sup>	Total	Sens.	High	HSPF <sup>4</sup>	Low	
GSH13 0361A* (cont.)	CHPF048D2*+G*V951155D**	35,000	26,600	13.5	11.8	32,550	26,366	32,000	7.7	16,000	735983
	CHPF3636B6A*+EEP	35,000	26,600	13	11.5	32,550	26,366	32,000	7.7	16,000	735806
	CHPF3642C6A*+EEP	35,000	26,600	13	11.5	32,550	26,366	32,000	7.7	16,000	735803
	CHPF3642C6A*+G*V80905C**	35,000	26,600	14	12.2	32,550	26,366	32,000	7.7	16,000	735831
	CHPF3642C6A*+G*V81155C**	35,000	26,600	14	12.2	32,550	26,366	32,000	8	16,000	735805
	CHPF3642D6A*+EEP	35,000	26,600	13	11.5	32,550	26,366	32,000	7.7	16,000	735810
	CHPF3642D6A*+G*V90905D**	35,000	26,600	14	12.2	32,550	26,366	32,000	8	16,000	735828
	CHPF3642D6A*+G*V950905D**	35,000	26,600	13.5	11.8	32,550	26,366	32,000	7.7	16,000	735997
	CHPF3642D6A*+G*V951155D**	35,000	26,600	13.5	11.8	32,550	26,366	32,000	7.7	16,000	735985
	CSCF3642N6A*+EEP	35,000	26,600	13	11.5	32,550	26,366	32,000	7.7	16,000	735814
	CSCF3642N6A*+G*V80905C**	35,000	26,600	14	12.2	32,550	26,366	32,000	8	16,000	735988
	CSCF3642N6A*+G*V81155C**	35,000	26,600	14	12.2	32,550	26,366	32,000	8	16,000	735982
	CSCF3642N6A*+G*V90905D**	35,000	26,600	14	12.2	32,550	26,366	32,000	8	16,000	735830
	CSCF3642N6A*+G*V950905D**	35,000	26,600	13.5	11.8	32,550	26,366	32,000	7.7	16,000	735990
	CSCF3642N6A*+G*V951155D**	35,000	26,600	13.5	11.8	32,550	26,366	32,000	7.7	16,000	735975
	H60F+EEP	35,000	26,600	13	11.5	32,550	26,366	32,000	7.7	16,000	735811
	H60F+G*V80905C**	35,000	26,600	14	12.2	32,550	26,366	32,000	8	16,000	735120
	H60F+G*V81155C**	35,000	26,600	14	12.2	32,550	26,366	32,000	8	16,000	735842
	H60F+G*V90905D**	35,000	26,600	14	12.2	32,550	26,366	32,000	8	16,000	735068
	H60F+G*V950905D**	35,000	26,600	13.5	11.8	32,550	26,366	32,000	7.7	16,000	735992
H60F+G*V951155D**	35,000	26,600	13.5	11.8	32,550	26,366	32,000	7.7	16,000	735974	
GSH13 0363A*	ADPF304216A*	35,000	26,600	13	11.5	32,550	26,366	32,000	7.7	16,000	1038099
	ADPF30421A*	35,000	26,600	13	11.5	32,550	26,366	32,000	7.7	16,000	735888
	ADPF30421B*	35,000	26,600	13	11.5	32,550	26,366	32,000	7.7	16,000	1069202
	AEPF303616A*	35,000	26,600	14	11.6	32,550	26,366	32,000	8	16,000	1038088
	AEPF30361A*	35,000	26,600	14	11.6	32,550	26,366	32,000	8	16,000	735902
	AEPF30361B*	35,000	26,600	14	11.6	32,550	26,366	32,000	8	16,000	1069203
	AEPT036-00*-1*	35,000	26,600	14	11.6	32,550	26,366	32,000	8	16,000	735883
	ARPF048-00B-1*	35,000	26,600	13	11.5	32,550	26,366	32,000	7.7	16,000	735900
	ARPF364216A*	35,000	26,600	13	11.5	32,550	26,366	32,000	7.7	16,000	1038087
	ARPF36421A*	35,000	26,600	13	11.5	32,550	26,366	32,000	7.7	16,000	735908
	ARPF36421B*	35,000	26,600	13	11.5	32,550	26,366	32,000	7.7	16,000	1069204
	ARPT049-00*-1*	35,000	26,600	13	11.5	32,550	26,366	32,000	7.7	16,000	735868
	ARUF049-00*-1*	35,000	26,600	13	11.5	32,550	26,366	32,000	7.7	16,000	735864
	ARUF364216A*	35,000	26,600	13	11.5	32,550	26,366	32,000	7.7	16,000	1038086
	ARUF36421A*	35,000	26,600	13	11.5	32,550	26,366	32,000	7.7	16,000	735898
	ARUF36421B*	35,000	26,600	13	11.5	32,550	26,366	32,000	7.7	16,000	1069189
	CA*F060*2*+EEP	35,000	26,600	13	11.5	32,550	26,366	32,000	7.7	16,000	735887
	CA*F3642*6A*+EEP	35,000	26,600	13	11.5	32,550	26,366	32,000	7.7	16,000	735861
	CHPF048D2*+EEP	35,000	26,600	13	11.5	32,550	26,366	32,000	7.7	16,000	735852
	CHPF3636B6A*+EEP	35,000	26,600	13	11.5	32,550	26,366	32,000	7.7	16,000	735854
	CHPF3642C6A*+EEP	35,000	26,600	13	11.5	32,550	26,366	32,000	7.7	16,000	735914
	CHPF3642D6A*+EEP	35,000	26,600	13	11.5	32,550	26,366	32,000	7.7	16,000	735884
	CSCF3642N6A*+EEP	35,000	26,600	13	11.5	32,550	26,366	32,000	7.7	16,000	735856
H60F+EEP	35,000	26,600	13	11.5	32,550	26,366	32,000	7.7	16,000	735905	
GSH13 0421A*	ADPF304216A*	40,000	30,400	13	11.5	37,200	29,388	39,000	8	23,000	1038067
	ADPF30421A*	40,000	30,400	13	11.5	37,200	29,388	39,000	8	23,000	735223
	ADPF30421B*	40,000	30,400	13	11.5	37,200	29,388	39,000	8	23,000	1069240
	AEPF426016A*	41,000	31,160	14	11.5	38,130	30,123	39,500	8.2	23,000	1038068
	AEPF42601A*	41,000	31,160	14	11.5	38,130	30,123	39,500	8.2	23,000	735088
	AEPF42601B*	41,000	31,160	14	12	38,130	30,123	39,500	8.2	23,000	1069241
	AEPT060-00*-1*	41,000	31,160	14	11.5	38,130	30,123	39,500	8.2	23,000	735234

PERFORMANCE RATINGS (CONT.)

Outdoor Unit	Indoor Unit	Cooling Capacity				TVA Ratings <sup>3</sup>		Heating Capacity			ARI #
		Total	Sens.	SEER <sup>1</sup>	EER <sup>2</sup>	Total	Sens.	High	HSPF <sup>4</sup>	Low	
GSH13 0421A* (cont.)	ARPF048-00B-1*	40,000	30,400	13	11.5	37,200	29,388	39,000	8	23,000	735206
	ARPF364216A*	40,000	30,400	13	11.5	37,200	29,388	39,000	8	23,000	1038069
	ARPF36421A*	40,000	30,400	13	11.5	37,200	29,388	39,000	8	23,000	735258
	ARPF36421B*	40,000	30,400	13	11.5	37,200	29,388	39,000	8	23,000	1069242
	ARPT049-00*-1*	40,000	30,400	13	11.5	37,200	29,388	39,000	8	23,000	735077
	ARUF049-00*-1*	40,000	30,400	13	11.5	37,200	29,388	39,000	8	23,000	735109
	ARUF364216A*	40,000	30,400	13	11.5	37,200	29,388	39,000	8	23,000	1038070
	ARUF36421A*	40,000	30,400	13	11.5	37,200	29,388	39,000	8	23,000	735150
	ARUF36421B*	40,000	30,400	13	11.5	37,200	29,388	39,000	8	23,000	1069238
	CA*F060*2*+EEP	40,000	30,400	13	11.5	37,200	29,388	39,000	8	23,000	735909
	CA*F060*2*+MBE1600**-1	41,000	31,160	14	11.5	38,130	30,123	39,000	8.2	23,000	1032339
	CA*F061*2*+G*V80905C**	41,000	31,160	14	11.5	38,130	30,123	39,000	8.2	23,000	735247
	CA*F061*2*+G*V81155C**	41,000	31,160	14	11.5	38,130	30,123	39,000	8.2	23,000	735807
	CA*F061*2*+G*V90905D**	41,000	31,160	13.5	11.8	38,130	30,123	39,000	8	23,000	735105
	CA*F061*2*+G*V950905D**	41,000	31,160	13.5	11.8	38,130	30,123	39,000	8	23,000	735197
	CA*F061*2*+G*V951155D**	41,000	31,160	13.5	11.8	38,130	30,123	39,000	8	23,000	735191
	CA*F3642*6A*+EEP	40,000	30,400	13	11.5	37,200	29,388	39,000	8	23,000	735863
	CA*F3642*6A*+MBE1600**-1	41,000	31,160	14	11.5	38,130	30,123	39,000	8.2	23,000	1032342
	CA*F4860*6A*+G*V950905D**	41,000	31,160	13.5	11.8	38,130	30,123	39,000	8	23,000	1031642
	CA*F4860*6A*+G*V80905C**	41,000	31,160	14	11.5	38,130	30,123	39,000	8.2	23,000	735129
	CA*F4860*6A*+G*V81155C**	41,000	31,160	14	11.5	38,130	30,123	39,000	8.2	23,000	735218
	CA*F4860*6A*+G*V90905D**	41,000	31,160	13.5	11.8	38,130	30,123	39,000	8	23,000	735820
	CA*F4860*6A*+G*V950905D**	41,000	31,160	13.5	11.8	38,130	30,123	39,000	8	23,000	735833
	CA*F4860*6A*+G*V951155D**	41,000	31,160	13.5	11.8	38,130	30,123	39,000	8	23,000	735250
	CHPF048D2*+EEP	40,000	30,400	13	11.5	37,200	29,388	39,000	8	23,000	735904
	CHPF060D2*+G*V80905C**	41,000	31,160	14	11.5	38,130	30,123	39,000	8.2	23,000	735071
	CHPF060D2*+G*V81155C**	41,000	31,160	14	11.5	38,130	30,123	39,000	8.2	23,000	735186
	CHPF060D2*+G*V90905D**	41,000	31,160	13.5	11.8	38,130	30,123	39,000	8	23,000	735153
	CHPF060D2*+G*V950905D**	41,000	31,160	13.5	11.8	38,130	30,123	39,000	8	23,000	735813
	CHPF060D2*+G*V951155D**	41,000	31,160	13.5	11.8	38,130	30,123	39,000	8	23,000	735989
	CHPF3642C6A*+EEP	40,000	30,400	13	11.5	37,200	29,388	39,000	8	23,000	735860
	CHPF3642D6A*+EEP	40,000	30,400	13	11.5	37,200	29,388	39,000	8	23,000	735906
	CHPF4860*6A*+G*V80905C**	41,000	31,160	14	11.5	38,130	30,123	39,000	8.2	23,000	735161
	CHPF4860*6A*+G*V81155C**	41,000	31,160	14	11.5	38,130	30,123	39,000	8.2	23,000	735103
	CHPF4860*6A*+G*V90905D**	41,000	31,160	13.5	11.8	38,130	30,123	39,000	8	23,000	735135
	CHPF4860*6A*+G*V950905D**	41,000	31,160	13.5	11.8	38,130	30,123	39,000	8	23,000	735986
	CHPF4860*6A*+G*V951155D**	41,000	31,160	13.5	11.8	38,130	30,123	39,000	8	23,000	735994
	CSCF3642N6A*+EEP	40,000	30,400	13	11.5	37,200	29,388	39,000	8	23,000	735885
	CSCF4860N6A*+G*V80905C**	41,000	31,160	14	11.5	38,130	30,123	39,000	8.2	23,000	735221
	CSCF4860N6A*+G*V81155C**	41,000	31,160	14	11.5	38,130	30,123	39,000	8.2	23,000	735098
	CSCF4860N6A*+G*V90905D**	41,000	31,160	13.5	11.8	38,130	30,123	39,000	8	23,000	735062
	CSCF4860N6A*+G*V950905D**	41,000	31,160	13.5	11.8	38,130	30,123	39,000	8	23,000	735801
CSCF4860N6A*+G*V951155D**	41,000	31,160	13.5	11.8	38,130	30,123	39,000	8	23,000	735980	
H60F+EEP	40,000	30,400	13	11.5	37,200	29,388	39,000	8	23,000	735859	
H61F+G*V80905C**	41,000	31,160	14	11.5	38,130	30,123	39,000	8.2	23,000	735178	
H61F+G*V81155C**	41,000	31,160	14	11.5	38,130	30,123	39,000	8.2	23,000	735089	
H61F+G*V90905D**	41,000	31,160	13.5	11.8	38,130	30,123	39,000	8	23,000	735164	
H61F+G*V950905D**	41,000	31,160	13.5	11.8	38,130	30,123	39,000	8	23,000	735101	
H61F+G*V951155D**	41,000	31,160	13.5	11.8	38,130	30,123	39,000	8	23,000	735979	

<sup>1</sup> Seasonal Energy Efficiency Ratio; Certified per ARI 210/240 @ 80 °F/67 °F/95 °F

<sup>2</sup> Energy Efficiency Ratio @ 80 °F/67 °F/95 °F

<sup>3</sup> TVA Rating: BTU/h @ 75 °F/63 °F - 95 °F

<sup>4</sup> HSPF = Heating Seasonal Performance Factor

Notes:

- Order the EEP from the Service Department using Part No. B13707-38 or new Solid State Board B13707-35S. Part No. B13707-38 is not interchangeable with B13707-35S.
- When mix-matching outdoor and indoor units, the indoor unit check flowrator must match the outdoor unit size.

# PRODUCT SPECIFICATIONS

## PERFORMANCE RATINGS (CONT.)

Outdoor Unit	Indoor Unit	Cooling Capacity				TVA Ratings <sup>3</sup>		Heating Capacity			ARI #
		Total	Sens.	SEER <sup>1</sup>	EER <sup>2</sup>	Total	Sens.	High	HSPF <sup>4</sup>	Low	
GSH13 0481A*	ADPF486016A*	45,000	34,200	13	11.5	41,850	33,899	43,000	8.2	27,000	1038071
	ADPF48601A*	45,000	34,200	13	11.5	41,850	33,899	43,000	8.2	27,000	735140
	ADPF48601B*	45,000	34,200	13	11.5	41,850	33,899	43,000	8.2	27,000	1069239
	AEPF426016A*	45,000	34,200	14	11.5	41,850	33,899	43,000	8.4	27,000	1038072
	AEPF42601A*	45,000	34,200	14	11.5	41,850	33,899	43,000	8.4	27,000	735224
	AEPF42601B*	45,000	34,200	14	12	41,850	33,899	43,000	8.4	27,000	1069227
	AEPT060-00*-1*	45,000	34,200	14	11.5	41,850	33,899	43,000	8.4	27,000	735091
	ARPF060-00B-1*	45,000	34,200	13	11.5	41,850	33,899	43,000	8.2	27,000	735058
	ARPF486016A*	45,000	34,200	13	11.5	41,850	33,899	43,000	8.2	27,000	1038073
	ARPF48601A*	45,000	34,200	13	11.5	41,850	33,899	43,000	8.2	27,000	735227
	ARPF48601B*	45,000	34,200	13	11.5	41,850	33,899	43,000	8.2	27,000	1069228
	ARPT061-00*-1*	45,000	34,200	13	11.5	41,850	33,899	43,000	8.2	27,000	735172
	ARUF061-00*-1*	45,000	34,200	13	11.5	41,850	33,899	43,000	8.2	27,000	735130
	ARUF486016A*	45,000	34,200	13	11.5	41,850	33,899	43,000	8.2	27,000	1038074
	ARUF48601A*	45,000	34,200	13	11.5	41,850	33,899	43,000	8.2	27,000	735225
	ARUF48601B*	45,000	34,200	13	11.5	41,850	33,899	43,000	8.2	27,000	1069229
	CA*F061*2*+EEP	45,000	34,200	13	11.5	41,850	33,899	43,000	8.2	27,000	735891
	CA*F061*2*+G*V80905C**	45,000	34,200	13.5	11.8	41,850	33,899	43,000	8.3	27,000	735245
	CA*F061*2*+G*V81155C**	45,000	34,200	14	11.5	41,850	33,899	43,000	8.4	27,000	735220
	CA*F061*2*+G*V90905D**	45,000	34,200	13.5	11.8	41,850	33,899	43,000	8.3	27,000	735133
	CA*F061*2*+G*V950905D**	45,000	34,200	13.5	11.8	41,850	33,899	43,000	8.3	27,000	735080
	CA*F061*2*+G*V951155D**	45,000	34,200	13.5	11.8	41,850	33,899	43,000	8.3	27,000	735138
	CA*F061*2*+MBE2000**-1	45,000	34,200	14	11.5	41,850	33,899	43,000	8.4	27,000	1032331
	CA*F4860*6A*+EEP	45,000	34,200	13	11.5	41,850	33,899	43,000	8.2	27,000	735858
	CA*F4860*6A*+G*V80905C**	45,000	34,200	13.5	11.8	41,850	33,899	43,000	8.3	27,000	735092
	CA*F4860*6A*+G*V81155C**	45,000	34,200	14	11.5	41,850	33,899	43,000	8.4	27,000	735213
	CA*F4860*6A*+G*V90905D**	45,000	34,200	13.5	11.8	41,850	33,899	43,000	8.3	27,000	735998
	CA*F4860*6A*+G*V950905D**	45,000	34,200	13.5	11.8	41,850	33,899	43,000	8.3	27,000	735179
	CA*F4860*6A*+G*V951155D**	45,000	34,200	13.5	11.8	41,850	33,899	43,000	8.3	27,000	735107
	CA*F4860*6A*+MBE2000**-1	45,000	34,200	14	11.5	41,850	33,899	43,000	8.4	27,000	1032333
	CHPF060D2*+EEP	45,000	34,200	13	11.5	41,850	33,899	43,000	8.2	27,000	735882
	CHPF060D2*+G*V80905C**	45,000	34,200	13.5	11.8	41,850	33,899	43,000	8.3	27,000	735057
	CHPF060D2*+G*V81155C**	45,000	34,200	13.5	11.8	41,850	33,899	43,000	8.3	27,000	735160
	CHPF060D2*+G*V90905D**	45,000	34,200	13.5	11.8	41,850	33,899	43,000	8.3	27,000	735052
	CHPF060D2*+G*V950905D**	45,000	34,200	13.5	11.8	41,850	33,899	43,000	8.3	27,000	736534
	CHPF060D2*+G*V951155D**	45,000	34,200	13.5	11.8	41,850	33,899	43,000	8.3	27,000	736530
	CHPF4860D6A*+MBE2000**-1	45,000	34,200	14	12	41,850	33,899	45,000	8.5	26,000	1069387
	CHPF4860D6A*+EEP	45,000	34,200	13	11.5	41,850	33,899	43,000	8.2	27,000	735881
	CHPF4860D6A*+G*V80905C**	45,000	34,200	13.5	11.8	41,850	33,899	43,000	8.3	27,000	735102
	CHPF4860D6A*+G*V81155C**	45,000	34,200	13.5	11.8	41,850	33,899	43,000	8.3	27,000	735051
	CHPF4860D6A*+G*V90905D**	45,000	34,200	13.5	11.8	41,850	33,899	43,000	8.3	27,000	735200
	CHPF4860D6A*+G*V950905D**	45,000	34,200	13.5	11.8	41,850	33,899	43,000	8.3	27,000	736529
	CHPF4860D6A*+G*V951155D**	45,000	34,200	13.5	11.8	41,850	33,899	43,000	8.3	27,000	736540
	CSCF4860N6A*+EEP	45,000	34,200	13	11.5	41,850	33,899	43,000	8.2	27,000	735879
	CSCF4860N6A*+G*V80905C**	45,000	34,200	13.5	11.8	41,850	33,899	43,000	8.3	27,000	735055
	CSCF4860N6A*+G*V81155C**	45,000	34,200	13.5	11.8	41,850	33,899	43,000	8.3	27,000	735237
	CSCF4860N6A*+G*V90905D**	45,000	34,200	13.5	11.8	41,850	33,899	43,000	8.3	27,000	735203
	CSCF4860N6A*+G*V950905D**	45,000	34,200	13.5	11.8	41,850	33,899	43,000	8.3	27,000	736531
	CSCF4860N6A*+G*V951155D**	45,000	34,200	13.5	11.8	41,850	33,899	43,000	8.3	27,000	736541
	H61F+EEP	45,000	34,200	13	11.5	41,850	33,899	43,000	8.2	27,000	735862
H61F+G*V80905C**	45,000	34,200	13.5	11.8	41,850	33,899	43,000	8.3	27,000	735139	
H61F+G*V81155C**	45,000	34,200	13.5	11.8	41,850	33,899	43,000	8.3	27,000	735075	
H61F+G*V90905D**	45,000	34,200	13.5	11.8	41,850	33,899	43,000	8.3	27,000	735066	
H61F+G*V950905D**	45,000	34,200	13.5	11.8	41,850	33,899	43,000	8.3	27,000	736532	
H61F+G*V951155D**	45,000	34,200	13.5	11.8	41,850	33,899	43,000	8.3	27,000	736535	

PERFORMANCE RATINGS (CONT.)

Outdoor Unit	Indoor Unit	Cooling Capacity				TVA Ratings <sup>3</sup>		Heating Capacity			ARI #
		Total	Sens.	SEER <sup>1</sup>	EER <sup>2</sup>	Total	Sens.	High	HSPF <sup>4</sup>	Low	
GSH13 0483/4A*	ADPF48601A*	45,000	34,200	13	11.5	41,850	33,899	43,000	8.2	27,000	735877
	AEPF42601A*	45,000	34,200	14	11.6	41,850	33,899	43,000	8.4	27,000	735913
	AEPT060-00*-1*	45,000	34,200	14	11.6	41,850	33,899	43,000	8.4	27,000	735850
	ARPF060-00B-1*	45,000	34,200	13	11.5	41,850	33,899	43,000	8.2	27,000	735899
	ARPF48601A*	45,000	34,200	13	11.5	41,850	33,899	43,000	8.2	27,000	735896
	ARPT061-00*-1*	45,000	34,200	13	11.5	41,850	33,899	43,000	8.2	27,000	735912
	ARUF061-00*-1*	45,000	34,200	13	11.5	41,850	33,899	43,000	8.2	27,000	735886
	ARUF48601A*	45,000	34,200	13	11.5	41,850	33,899	43,000	8.2	27,000	735849
	CA*F061*2*+EEP	45,000	34,200	13	11.5	41,850	33,899	43,000	8.2	27,000	735853
	CA*F4860*6A*+EEP	45,000	34,200	13	11.5	41,850	33,899	43,000	8.2	27,000	735892
	CHPF060D2*+EEP	45,000	34,200	13	11.5	41,850	33,899	43,000	8.2	27,000	735903
	CHPF4860D6A*+EEP	45,000	34,200	13	11.5	41,850	33,899	43,000	8.2	27,000	735871
	CSCF4860N6A*+EEP	45,000	34,200	13	11.5	41,850	33,899	43,000	8.2	27,000	735869
	H61F+EEP	45,000	34,200	13	11.5	41,850	33,899	43,000	8.2	27,000	735880
GSH13 0483A*	ADPF486016A*	45,000	34,200	13	11.5	41,850	33,899	43,000	8.2	27,000	1038085
	ADPF48601A*	45,000	34,200	13	11.5	41,850	33,899	43,000	8.2	27,000	872433
	ADPF48601B*	45,000	34,200	13	11.5	41,850	33,899	43,000	8.2	27,000	1069230
	AEPF426016A*	45,000	34,200	14	11.6	41,850	33,899	43,000	8.4	27,000	1038098
	AEPF42601A*	45,000	34,200	14	11.6	41,850	33,899	43,000	8.4	27,000	872423
	AEPF42601B*	45,000	34,200	14	11.6	41,850	33,899	43,000	8.4	27,000	1069231
	AEPT060-00*-1*	45,000	34,200	14	11.6	41,850	33,899	43,000	8.4	27,000	872409
	ARPF060-00B-1*	45,000	34,200	13	11.5	41,850	33,899	43,000	8.2	27,000	872416
	ARPF486016A*	45,000	34,200	13	11.5	41,850	33,899	43,000	8.2	27,000	1038097
	ARPF48601A*	45,000	34,200	13	11.5	41,850	33,899	43,000	8.2	27,000	872438
	ARPF48601B*	45,000	34,200	13	11.5	41,850	33,899	43,000	8.2	27,000	1069237
	ARPT061-00*-1*	45,000	34,200	13	11.5	41,850	33,899	43,000	8.2	27,000	872432
	ARUF061-00*-1*	45,000	34,200	13	11.5	41,850	33,899	43,000	8.2	27,000	872439
	ARUF486016A*	45,000	34,200	13	11.5	41,850	33,899	43,000	8.2	27,000	1038096
	ARUF48601A*	45,000	34,200	13	11.5	41,850	33,899	43,000	8.2	27,000	872436
	ARUF48601B*	45,000	34,200	13	11.5	41,850	33,899	43,000	8.2	27,000	1069236
	CA*F061*2*+EEP	45,000	34,200	13	11.5	41,850	33,899	43,000	8.2	27,000	869429
	CA*F4860*6A*+EEP	45,000	34,200	13	11.5	41,850	33,899	43,000	8.2	27,000	869455
	CHPF060D2*+EEP	45,000	34,200	13	11.5	41,850	33,899	43,000	8.2	27,000	869452
CHPF4860D6A*+EEP	45,000	34,200	13	11.5	41,850	33,899	43,000	8.2	27,000	869446	
CSCF4860N6A*+EEP	45,000	34,200	13	11.5	41,850	33,899	43,000	8.2	27,000	869439	
H61F+EEP	45,000	34,200	13	11.5	41,850	33,899	43,000	8.2	27,000	869453	
GSH13 0484A*	ADPF486016A*	45,000	34,200	13	11.5	41,850	33,899	43,000	8.2	27,000	1038095
	ADPF48601A*	45,000	34,200	13	11.5	41,850	33,899	43,000	8.2	27,000	872413
	ADPF48601B*	45,000	34,200	13	11.5	41,850	33,899	43,000	8.2	27,000	1069235
	AEPF426016A*	45,000	34,200	14	11.6	41,850	33,899	43,000	8.4	27,000	1038094
	AEPF42601A*	45,000	34,200	14	11.6	41,850	33,899	43,000	8.4	27,000	872414
	AEPF42601B*	45,000	34,200	14	11.6	41,850	33,899	43,000	8.4	27,000	1069234
	AEPT060-00*-1*	45,000	34,200	14	11.6	41,850	33,899	43,000	8.4	27,000	872421
	ARPF060-00B-1*	45,000	34,200	13	11.5	41,850	33,899	43,000	8.2	27,000	872428
	ARPF486016A*	45,000	34,200	13	11.5	41,850	33,899	43,000	8.2	27,000	1038093
	ARPF48601A*	45,000	34,200	13	11.5	41,850	33,899	43,000	8.2	27,000	872429
	ARPF48601B*	45,000	34,200	13	11.5	41,850	33,899	43,000	8.2	27,000	1069233
	ARPT061-00*-1*	45,000	34,200	13	11.5	41,850	33,899	43,000	8.2	27,000	872435
	ARUF061-00*-1*	45,000	34,200	13	11.5	41,850	33,899	43,000	8.2	27,000	872419
	ARUF486016A*	45,000	34,200	13	11.5	41,850	33,899	43,000	8.2	27,000	1038092
	ARUF48601A*	45,000	34,200	13	11.5	41,850	33,899	43,000	8.2	27,000	872426
	ARUF48601B*	45,000	34,200	13	11.5	41,850	33,899	43,000	8.2	27,000	1069232

# PRODUCT SPECIFICATIONS

## PERFORMANCE RATINGS (CONT.)

Outdoor Unit	Indoor Unit	Cooling Capacity				TVA Ratings <sup>3</sup>		Heating Capacity			ARI #
		Total	Sens.	SEER <sup>1</sup>	EER <sup>2</sup>	Total	Sens.	High	HSPF <sup>4</sup>	Low	
GSH13 0484A* (cont.)	CA*F061*2*+EEP	45,000	34,200	13	11.5	41,850	33,899	43,000	8.2	27,000	869477
	CA*F4860*6A*+EEP	45,000	34,200	13	11.5	41,850	33,899	43,000	8.2	27,000	869476
	CHPF060D2*+EEP	45,000	34,200	13	11.5	41,850	33,899	43,000	8.2	27,000	869472
	CHPF4860D6A*+EEP	45,000	34,200	13	11.5	41,850	33,899	43,000	8.2	27,000	869447
	CSCF4860N6A*+EEP	45,000	34,200	13	11.5	41,850	33,899	43,000	8.2	27,000	869443
	H61F+EEP	45,000	34,200	13	11.5	41,850	33,899	43,000	8.2	27,000	869434
GSH13 0601A*	ADPF486016A*	55,500	39,960	13	11.5	51,615	39,744	55,500	8.5	35,000	1038075
	ADPF48601A*	55,500	39,960	13	11.5	51,615	39,744	55,500	8.5	35,000	735212
	ADPF48601B*	55,500	39,960	13	11.5	51,615	39,744	55,500	8.5	35,000	1069190
	AEPF426016A*	55,500	39,960	13.3	11.7	51,615	39,744	55,500	8.6	35,000	1038076
	AEPF42601A*	55,500	39,960	13.3	11.7	51,615	39,744	55,500	8.6	35,000	735084
	AEPF42601B*	55,500	39,960	13.3	11.7	51,615	39,744	55,500	8.6	35,000	1069191
	AEPT060-00*-1*	55,500	39,960	13.3	11.7	51,615	39,744	55,500	8.6	35,000	735069
	ARPF060-00B-1*	55,500	39,960	13	11.5	51,615	39,744	55,500	8.5	35,000	735163
	ARPF486016A*	55,500	39,960	13	11.5	51,615	39,744	55,500	8.5	35,000	1038077
	ARPF48601A*	55,500	39,960	13	11.5	51,615	39,744	55,500	8.5	35,000	735083
	ARPF48601B*	55,500	39,960	13	11.5	51,615	39,744	55,500	8.5	35,000	1069192
	ARPT061-00*-1*	55,500	39,960	13	11.5	51,615	39,744	55,500	8.5	35,000	735192
	ARUF061-00*-1*	55,500	39,960	13	11.5	51,615	39,744	55,500	8.5	35,000	735167
	ARUF486016A*	55,500	39,960	13	11.5	51,615	39,744	55,500	8.5	35,000	1038078
	ARUF48601A*	55,500	39,960	13	11.5	51,615	39,744	55,500	8.5	35,000	735214
	ARUF48601B*	55,500	39,960	13	11.5	51,615	39,744	55,500	8.5	35,000	1069193
	CA*F061*2*+EEP	55,500	39,960	13	11.5	51,615	39,744	55,500	8.5	35,000	735873
	CA*F061*2*+G*V80905C**	55,500	39,960	13.3	11.7	51,615	39,744	55,500	8.5	35,000	735199
	CA*F061*2*+G*V81155C**	55,500	39,960	13.3	11.7	51,615	39,744	55,500	8.5	35,000	735251
	CA*F061*2*+MBE2000**-1	55,500	39,960	13.5	11.8	51,615	39,744	55,500	8.6	35,000	1032334
	CA*F4860*6A*+EEP	55,500	39,960	13	11.5	51,615	39,744	55,500	8.5	35,000	735870
	CA*F4860*6A*+G*V80905C**	55,500	39,960	13.3	11.7	51,615	39,744	55,500	8.5	35,000	735149
	CA*F4860*6A*+G*V81155C**	55,500	39,960	13.3	11.7	51,615	39,744	55,500	8.5	35,000	735148
	CA*F4860*6A*+MBE2000**-1	55,500	39,960	13.5	11.8	51,615	39,744	55,500	8.6	35,000	1032332
	CHPF060D2*+EEP	55,500	39,960	13	11.5	51,615	39,744	55,500	8.5	35,000	735907
	CHPF060D2*+G*V80905C**	55,500	39,960	13.3	11.7	51,615	39,744	55,500	8.5	35,000	735195
	CHPF060D2*+G*V81155C**	55,500	39,960	13.3	11.7	51,615	39,744	55,500	8.5	35,000	735046
	CHPF4860*6A*+G*V80905C**	55,500	39,960	13.3	11.7	51,615	39,744	55,500	8.5	35,000	735137
	CHPF4860*6A*+G*V81155C**	55,500	39,960	13.3	11.7	51,615	39,744	55,500	8.5	35,000	735154
	CHPF4860D6A*+EEP	55,500	39,960	13	11.5	51,615	39,744	55,500	8.5	35,000	735911
	CSCF4860N6A*+EEP	55,500	39,960	13	11.5	51,615	39,744	55,500	8.5	35,000	735855
	CSCF4860N6A*+G*V80905C**	55,500	39,960	13.3	11.7	51,615	39,744	55,500	8.5	35,000	735124
	CSCF4860N6A*+G*V81155C**	55,500	39,960	13.3	11.7	51,615	39,744	55,500	8.5	35,000	735110
H61F+EEP	55,500	39,960	13	11.5	51,615	39,744	55,500	8.5	35,000	735910	
H61F+G*V80905C**	55,500	39,960	13.3	11.7	51,615	39,744	55,500	8.5	35,000	735043	
H61F+G*V81155C**	55,500	39,960	13.3	11.7	51,615	39,744	55,500	8.5	35,000	735145	
GSH13 0603/4A*	ADPF48601A*	55,500	39,960	13	11.5	51,615	39,744	55,500	8.5	35,000	735890
	AEPF42601A*	55,500	39,960	13.3	11.6	51,615	39,744	55,500	8.6	35,000	735866
	AEPT060-00*-1*	55,500	39,960	13.3	11.6	51,615	39,744	55,500	8.6	35,000	735916
	ARPF060-00B-1*	55,500	39,960	13	11.5	51,615	39,744	55,500	8.5	35,000	735893
	ARPF48601A*	55,500	39,960	13	11.5	51,615	39,744	55,500	8.5	35,000	735897
	ARPT061-00*-1*	55,500	39,960	13	11.5	51,615	39,744	55,500	8.5	35,000	735894
	ARUF061-00*-1*	55,500	39,960	13	11.5	51,615	39,744	55,500	8.5	35,000	735889
	ARUF48601A*	55,500	39,960	13	11.5	51,615	39,744	55,500	8.5	35,000	735895
	CA*F061*2*+EEP	55,500	39,960	13	11.5	51,615	39,744	55,500	8.5	35,000	735901
	CA*F4860*6A*+EEP	55,500	39,960	13	11.5	51,615	39,744	55,500	8.5	35,000	735875

PERFORMANCE RATINGS (CONT.)

Outdoor Unit	Indoor Unit	Cooling Capacity				TVA Ratings <sup>3</sup>		Heating Capacity			ARI #
		Total	Sens.	SEER <sup>1</sup>	EER <sup>2</sup>	Total	Sens.	High	HSPF <sup>4</sup>	Low	
GSH13 0603/4A* (cont.)	CHPF060D2*+EEP	55,500	39,960	13	11.5	51,615	39,744	55,500	8.5	35,000	735872
	CHPF4860D6A*+EEP	55,500	39,960	13	11.5	51,615	39,744	55,500	8.5	35,000	735857
	CSCF4860N6A*+EEP	55,500	39,960	13	11.5	51,615	39,744	55,500	8.5	35,000	735865
	H61F+EEP	55,500	39,960	13	11.5	51,615	39,744	55,500	8.5	35,000	735874
GSH13 0603A*	ADPF486016A*	55,500	39,960	13	11.5	51,615	39,744	55,500	8.5	35,000	1038091
	ADPF48601A*	55,500	39,960	13	11.5	51,615	39,744	55,500	8.5	35,000	872420
	ADPF48601B*	55,500	39,960	13	11.5	51,615	39,744	55,500	8.5	35,000	1069194
	AEPF426016A*	55,500	39,960	13.3	11.6	51,615	39,744	55,500	8.6	35,000	1038090
	AEPF42601A*	55,500	39,960	13.3	11.6	51,615	39,744	55,500	8.6	35,000	872415
	AEPF42601B*	55,500	39,960	13.3	11.6	51,615	39,744	55,500	8.6	35,000	1069195
	AEPT060-00*-1*	55,500	39,960	13.3	11.6	51,615	39,744	55,500	8.6	35,000	872418
	ARPF060-00B-1*	55,500	39,960	13	11.5	51,615	39,744	55,500	8.5	35,000	872408
	ARPF486016A*	55,500	39,960	13	11.5	51,615	39,744	55,500	8.5	35,000	1038089
	ARPF48601A*	55,500	39,960	13	11.5	51,615	39,744	55,500	8.5	35,000	872424
	ARPF48601B*	55,500	39,960	13	11.5	51,615	39,744	55,500	8.5	35,000	1069196
	ARPT061-00*-1*	55,500	39,960	13	11.5	51,615	39,744	55,500	8.5	35,000	872417
	ARUF061-00*-1*	55,500	39,960	13	11.5	51,615	39,744	55,500	8.5	35,000	872427
	ARUF486016A*	55,500	39,960	13	11.5	51,615	39,744	55,500	8.5	35,000	1038082
	ARUF48601A*	55,500	39,960	13	11.5	51,615	39,744	55,500	8.5	35,000	872411
	ARUF48601B*	55,500	39,960	13	11.5	51,615	39,744	55,500	8.5	35,000	1069197
	CA*F061*2*+EEP	55,500	39,960	13	11.5	51,615	39,744	55,500	8.5	35,000	869428
	CA*F4860*6A*+EEP	55,500	39,960	13	11.5	51,615	39,744	55,500	8.5	35,000	869433
	CHPF060D2*+EEP	55,500	39,960	13	11.5	51,615	39,744	55,500	8.5	35,000	869435
	CHPF4860D6A*+EEP	55,500	39,960	13	11.5	51,615	39,744	55,500	8.5	35,000	869479
CSCF4860N6A*+EEP	55,500	39,960	13	11.5	51,615	39,744	55,500	8.5	35,000	869478	
H61F+EEP	55,500	39,960	13	11.5	51,615	39,744	55,500	8.5	35,000	869466	
GSH13 0604A*	ADPF486016A*	55,500	39,960	13	11.5	51,615	39,744	55,500	8.5	35,000	1038083
	ADPF48601A*	55,500	39,960	13	11.5	51,615	39,744	55,500	8.5	35,000	872410
	ADPF48601B*	55,500	39,960	13	11.5	51,615	39,744	55,500	8.5	35,000	1069198
	AEPF426016A*	55,500	39,960	13.3	11.6	51,615	39,744	55,500	8.6	35,000	1038084
	AEPF42601A*	55,500	39,960	13.3	11.6	51,615	39,744	55,500	8.6	35,000	872425
	AEPF42601B*	55,500	39,960	13.3	11.6	51,615	39,744	55,500	8.6	35,000	1069199
	AEPT060-00*-1*	55,500	39,960	13.3	11.6	51,615	39,744	55,500	8.6	35,000	872437
	ARPF060-00B-1*	55,500	39,960	13	11.5	51,615	39,744	55,500	8.5	35,000	872430
	ARPF486016A*	55,500	39,960	13	11.5	51,615	39,744	55,500	8.5	35,000	1038080
	ARPF48601A*	55,500	39,960	13	11.5	51,615	39,744	55,500	8.5	35,000	872412
	ARPF48601B*	55,500	39,960	13	11.5	51,615	39,744	55,500	8.5	35,000	1069200
	ARPT061-00*-1*	55,500	39,960	13	11.5	51,615	39,744	55,500	8.5	35,000	872422
	ARUF061-00*-1*	55,500	39,960	13	11.5	51,615	39,744	55,500	8.5	35,000	872431
	ARUF486016A*	55,500	39,960	13	11.5	51,615	39,744	55,500	8.5	35,000	1038081
	ARUF48601A*	55,500	39,960	13	11.5	51,615	39,744	55,500	8.5	35,000	872434
	ARUF48601B*	55,500	39,960	13	11.5	51,615	39,744	55,500	8.5	35,000	1069201
	CA*F061*2*+EEP	55,500	39,960	13	11.5	51,615	39,744	55,500	8.5	35,000	869458
	CA*F4860*6A*+EEP	55,500	39,960	13	11.5	51,615	39,744	55,500	8.5	35,000	869469
	CHPF060D2*+EEP	55,500	39,960	13	11.5	51,615	39,744	55,500	8.5	35,000	869451
	CHPF4860D6A*+EEP	55,500	39,960	13	11.5	51,615	39,744	55,500	8.5	35,000	869431
CSCF4860N6A*+EEP	55,500	39,960	13	11.5	51,615	39,744	55,500	8.5	35,000	869436	
H61F+EEP	55,500	39,960	13	11.5	51,615	39,744	55,500	8.5	35,000	869463	

<sup>1</sup> Seasonal Energy Efficiency Ratio; Certified per ARI 210/240 @ 80 °F/67 °F/95 °F

<sup>3</sup> TVA Rating: BTU/h @ 75°F/63°F - 95°F

<sup>2</sup> Energy Efficiency Ratio @ 80 °F/67 °F/95 °F

<sup>4</sup> HSPF = Heating Seasonal Performance Factor

Notes:

- Order the EEP from the Service Department using Part No. B13707-38 or new Solid State Board B13707-35S. Part No. B13707-38 is not interchangeable with B13707-35S.
- When mix-matching outdoor and indoor units, the indoor unit check flowrator must match the outdoor unit size.

# PRODUCT SPECIFICATIONS

## ACCESSORIES

Model	Description	GSH13-018	GSH13-024	GSH13-030	GSH13-036	GSH13-042	GSH13-048	GSH13-060
AFE18-60A	All-fuel Kit	X	X	X	X	X	X	X
ASC01	Anti-Short Cycle Kit	X	X	X	X	X	X	X
CSR-U-1	Hard-start Kit	X	X	X	X			
CSR-U-2	Hard-start Kit				X	X	X	X
CSR-U-3	Hard-start Kit						X	X
FSK01A <sup>1</sup>	Freeze Protection Kit	X	X	X	X	X	X	X
OT/EHR18-60	Emergency Heat Relay kit	X	X	X	X	X	X	X
OT18-60A <sup>2</sup>	Outdoor Thermostat with Lockout Stat	X	X	X	X	X	X	X
TX3N2 <sup>3</sup>	TXV Kit -- Field-installed, non-bleed, expansion valve kit	X	X	X	X			
TX5N2 <sup>3</sup>	TXV Kit -- Field-installed, non-bleed, expansion valve kit					X	X	X

- 1) Installed on indoor coil
- 2) Required for heat pump applications where ambient temperatures fall below 0 °F with 50% or higher relative humidity.
- 3) Condensing units and heat pumps with reciprocating compressors require the use of start-assist components when used in conjunction with an indoor coil using a non-bleed thermal expansion valve refrigerant metering device.



*Goodman Manufacturing Company, L.P., reserves the right to discontinue, or change at any time, specifications or designs without notice or without incurring obligations.*

*Copyright © 2006 • Goodman Manufacturing Company, L.P. • Houston, Texas  
Goodman® brand products are proudly made in the USA.  
Printed in the USA.*